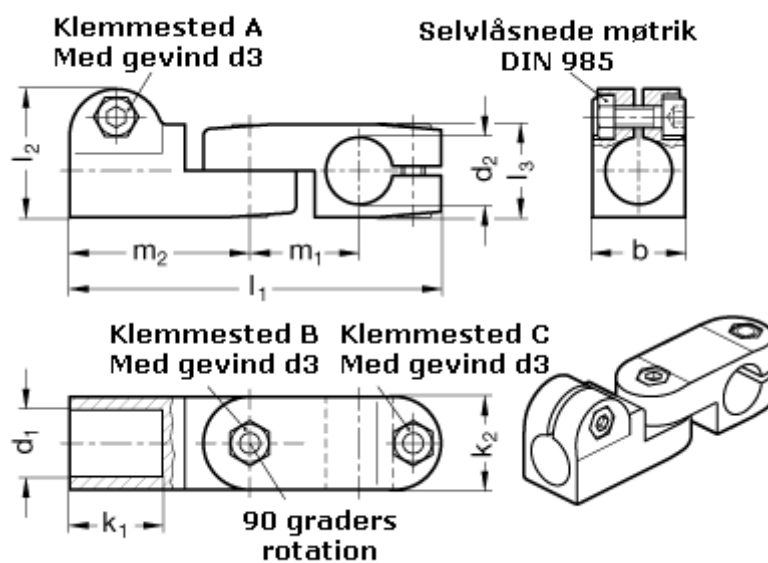


Article number: 20287B12B162BL
Description: E+G swivel clamp
GN287-B12-B16-2-BL

Measures



| | |
|--------------|--------------|
| $b = 25$ | $m_1 = 29.5$ |
| $d_1 = B12$ | $m_2 = 48.5$ |
| $d_2 = B16$ | |
| $d_3 = M 6$ | |
| $k_1 = 25$ | |
| $k_2 = 25$ | |
| $l_1 = 100$ | |
| $l_2 = 34.5$ | |